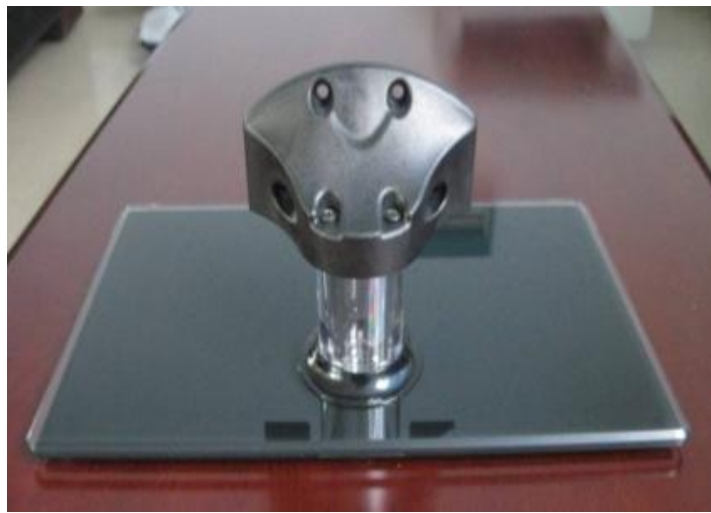
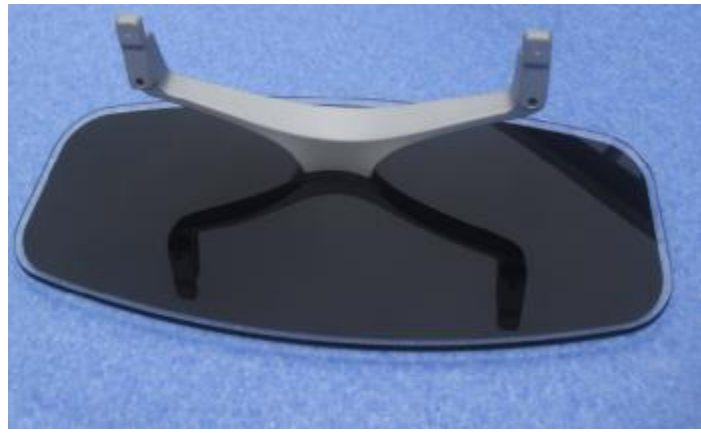


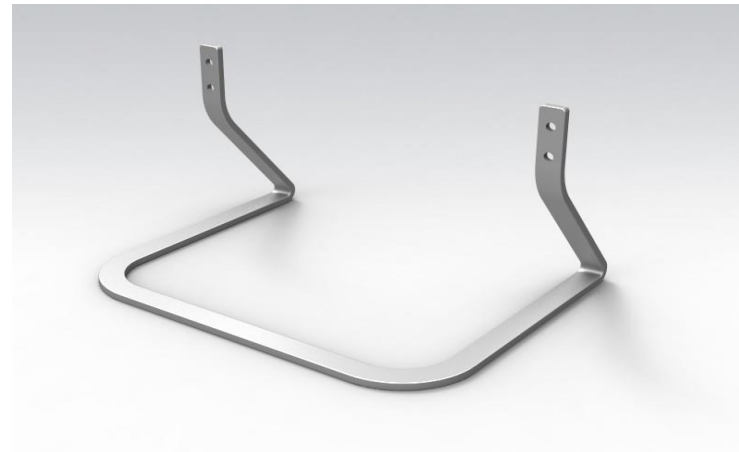
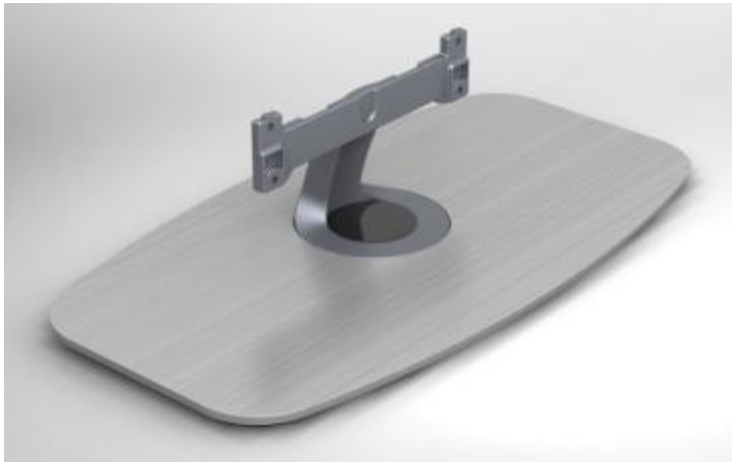
# Base

Classic glass base



# Base

Classic metal base

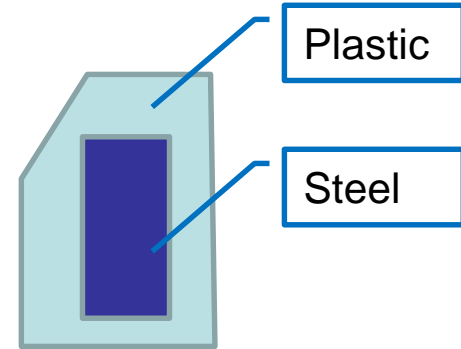


# Base

Loop stand  
Plastic with metal-insert



Arm  
Material: Die-casting  
Finishing: Powder coating



Material section



U Frame  
Material: Plastic/metal  
Finishing: Insert injection & plating

# Base

Loop stand  
Plastic + ALU Die-casting



NECK  
Material: Plastic  
Finishing: Transparent

Deco cover  
Material: Plastic  
Finishing: plating

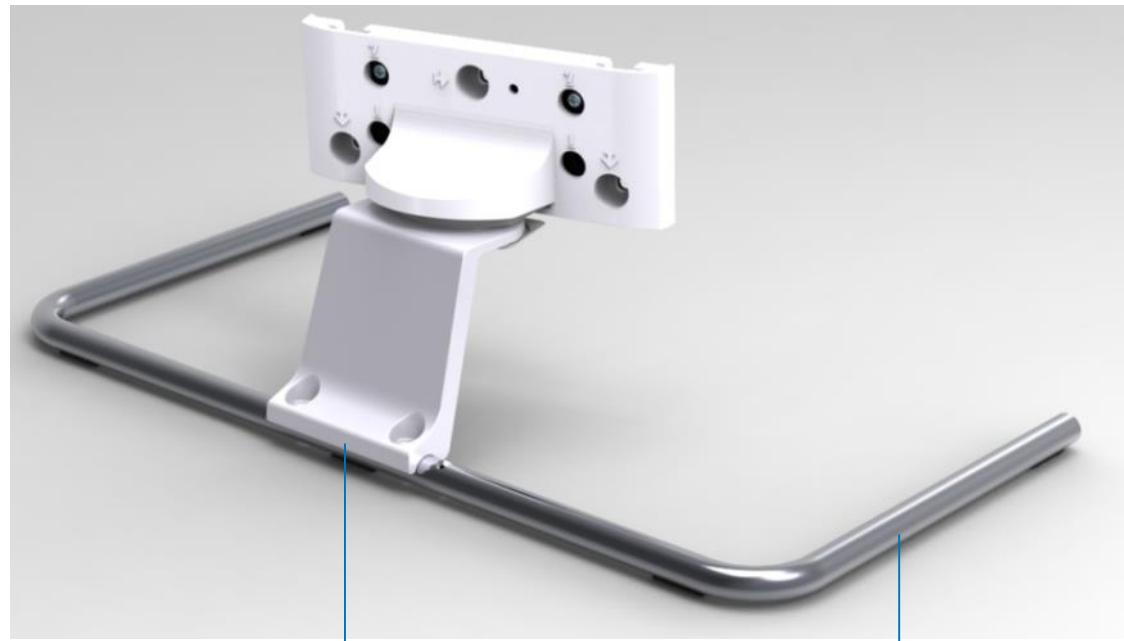
Deco sheet  
Material: Plastic  
Finishing: plating

Stand Base  
Material: ALU Die-casting  
Finishing: Powder coating



# Base

**Loop stand**  
Shaft/ALU Die-casting  
Plating/powder coating  
Swivel & Tilt

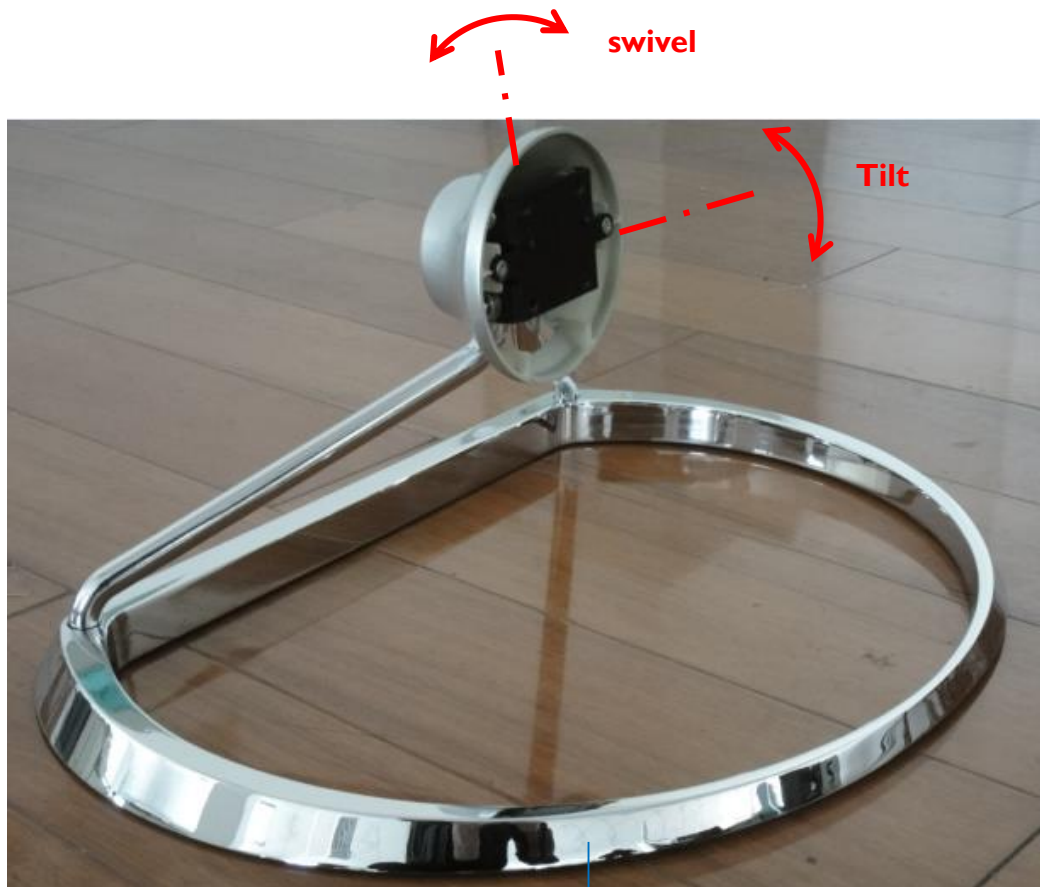


Stand Base  
Material: Die-casting  
Finishing: Powder coating

U Frame  
Material: Q195  
Finishing: plating

# Base

Loop stand  
 Shaft/plastic  
 Plating  
 Swivel & Tilt



Base cover  
 Material: Plastic  
 Finishing: plating



Stand shaft  
 Material: 1215  
 Finishing: Plating

# Base

Loop stand  
Shaft  
plating



Stand Frame  
Material: Q195  
Finishing: plating





# Base

Loop stand  
Shaft  
Powder coating



Stand Frame  
Material: Q195  
Finishing: Powder coating



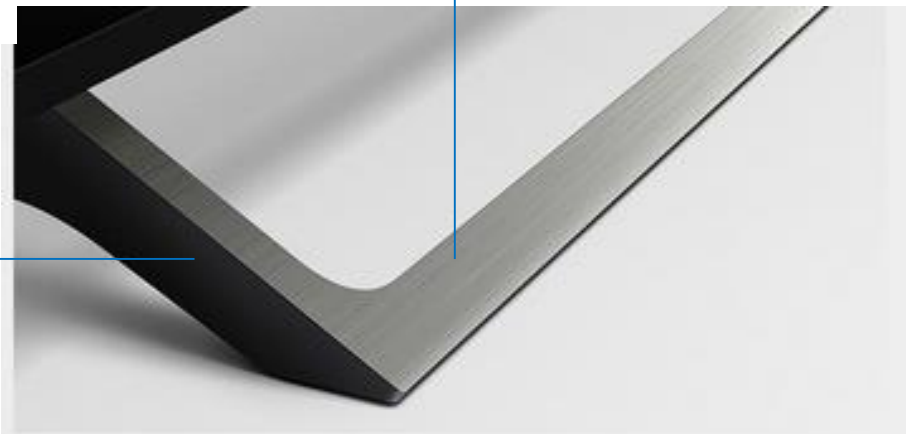
# Base

Loop stand  
 Plastic cover with hot stamping



Base cover  
 Material: ABS  
 Finishing on top side:  
 Hot stamping with hair  
 line effect

Base cover  
 Material: ABS  
 Finishing: side surface texture



# Base

Two feet stand  
 Al extrusion Anodizing  
 Diamond cutting



Stand Base  
 Material: ALU Extrusion  
 Finishing: Hair line anodizing  
 Diamond cut



# Base

Two feet stand  
Precision stamping



Ultrathin thickness 5mm

Stand Base  
Material: SPCC  
Finishing: precision stamping & Plating



# Base

Two feet stand  
2-color plastic injection



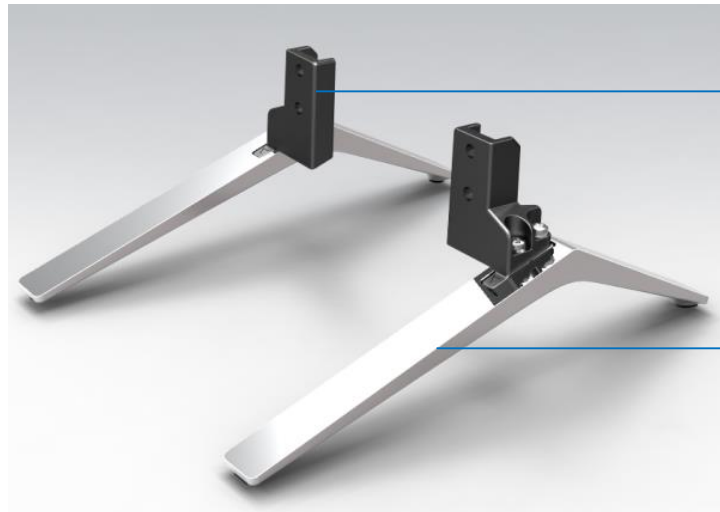
Stand Base  
Material: Plastic  
Finishing: 2-color plastic injection



Colorful option for TV Set

# Base

Two feet stand  
ALU Forging  
Plating/anodizing



NECK  
Material: ALU Die-casting  
Finishing: ED-Coating

Base  
Material: ALU Forging  
Finishing: Plating

Base  
Material: ALU Forging  
Finishing: anodizing



# Base

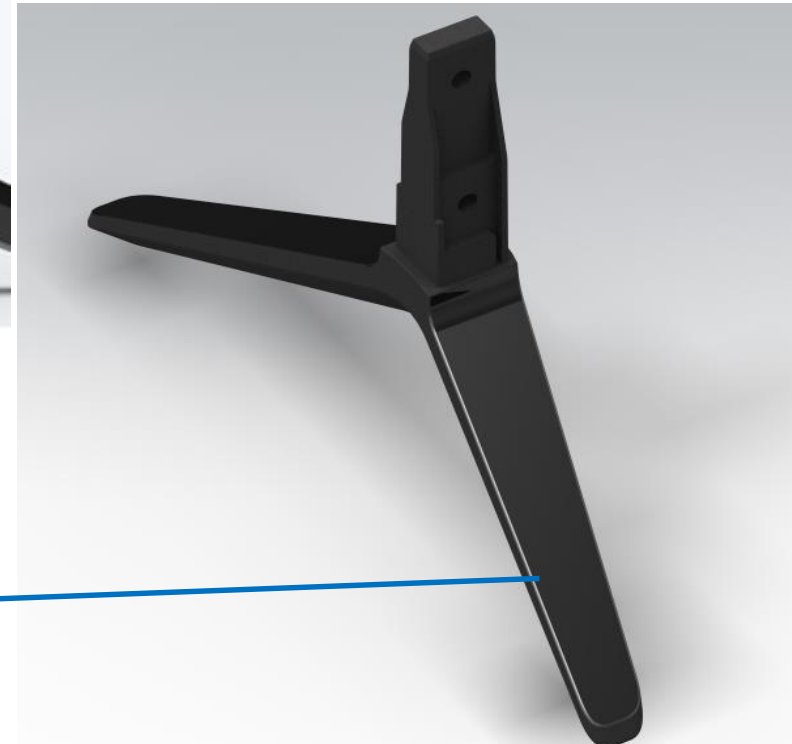
Two feet stand  
Shaft plating



Stand Base  
Material: 1215  
Finishing: Plating

# Base

Two feet stand  
 Thick plastic



Stand Base  
 Material: ABS  
 Finishing: High gloss and texture



# Base

Two feet stand  
 Plastic + metal



Base plate  
 Material: SPCC  
 Finishing: ED coating



Base cover  
 Material: ABS  
 Finishing: Hot stamping(Top surface)  
 High gloss(side surface)

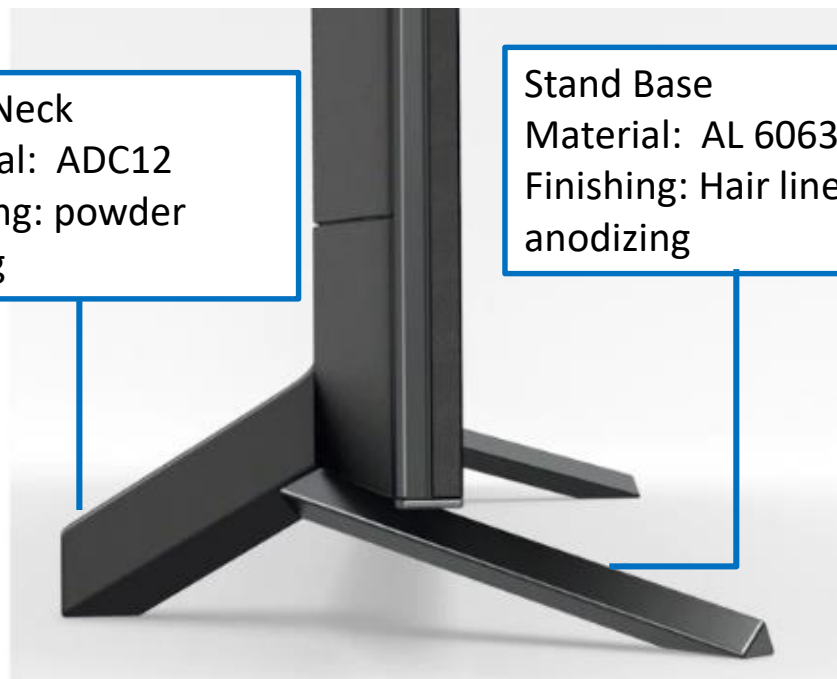
# Base

Two feet stand  
ALU extrusion+ ALU Die-casting



Stand Neck  
Material: ADC12  
Finishing: powder coating

Stand Base  
Material: AL 6063  
Finishing: Hair line+ anodizing

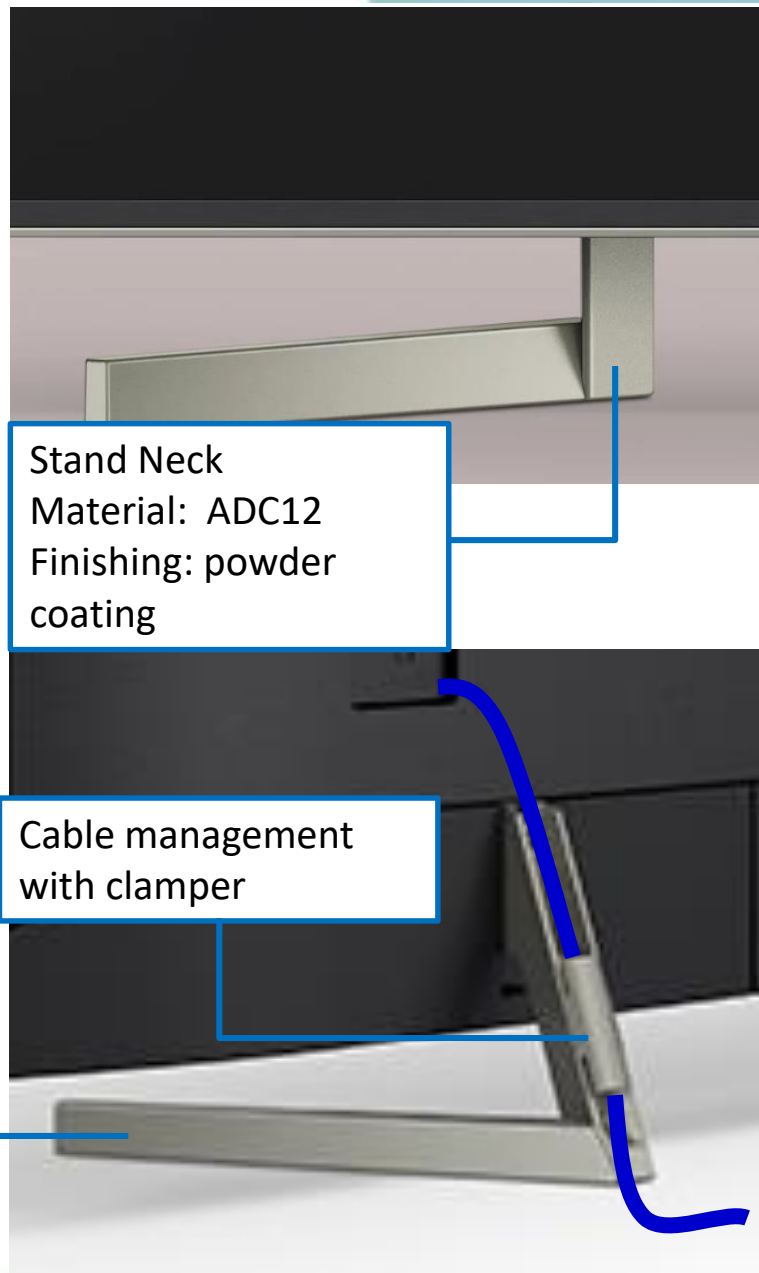


Cable management with cable cover



# Base

Two feet stand  
ALU Die-casting + metal



Stand Neck  
Material: ADC12  
Finishing: powder coating

Cable management  
with clammer

Stand Base  
Material: Plastic + metal  
Finishing: painting

# Base

Transparent stand  
 Thick injection



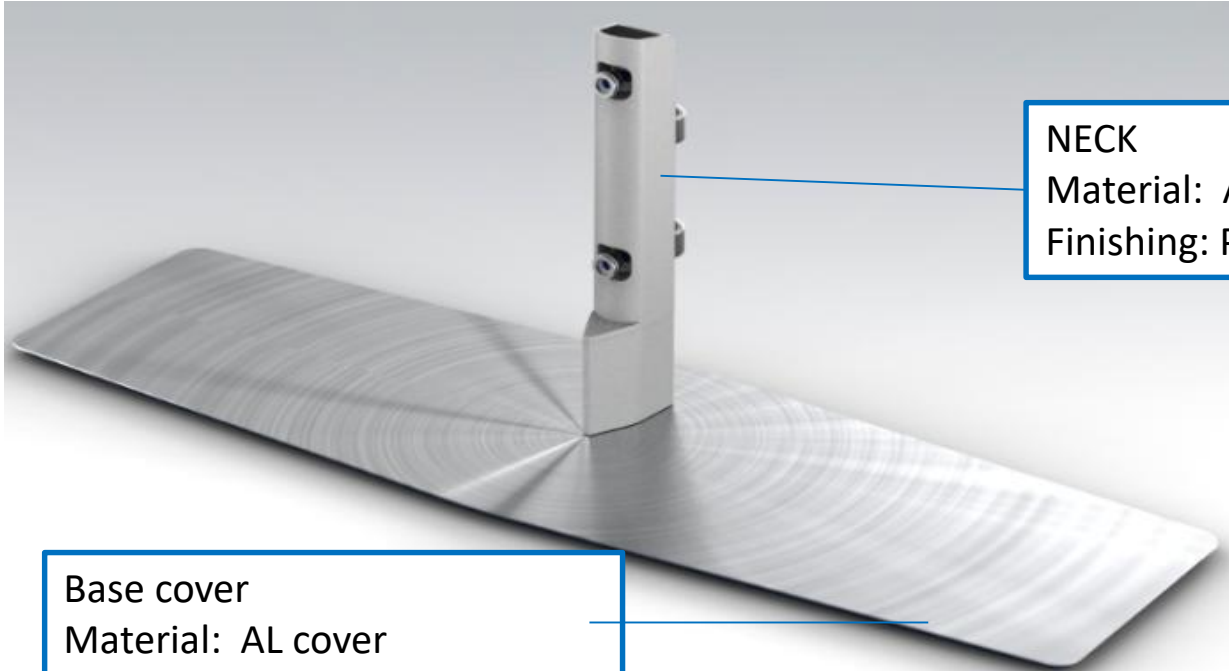
NECK  
 Material: ALU Die-casting  
 Finishing: Powder coating

Stand Base  
 Material: Plastic  
 Finishing: Transparent



# Base

Radial stand  
NIL decoration



NECK  
Material: ALU Die-casting  
Finishing: Powder coating

Base cover  
Material: AL cover  
Finishing: Nano-Imprint  
Lithography with radial effect



# Base

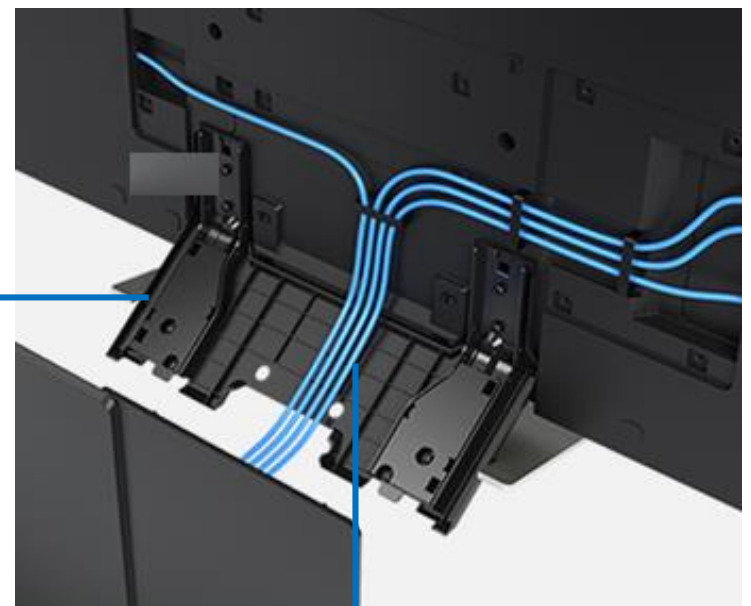
Plate stand  
ALU Cover



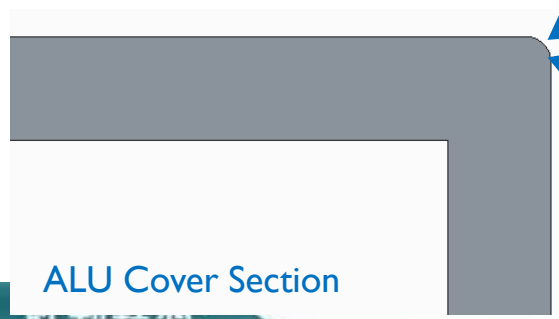
Base cover  
Material: ALU Cover  
Finishing: Hair line & Sand blast  
& Anodizing

Front & Rear cover  
Material: HIPS  
Finishing: Texture

Stand Neck  
Material: SPCC  
Finishing: ED Coating



Removable stand cover design  
Easy to manager the cable



R0.2~R0.3  
Can make small R  
By new punching process

ALU Cover Section

# Base

Plate stand  
ALU Plate 2 colors  
anodizing



Neck cover  
Material: PC+ABS  
Finishing: Hot stamping

Base Plate  
Material: ALU Extrusion  
Finishing: Hair line& 2 colors  
Anodizing



# Base

Plate stand  
Transparent plastic



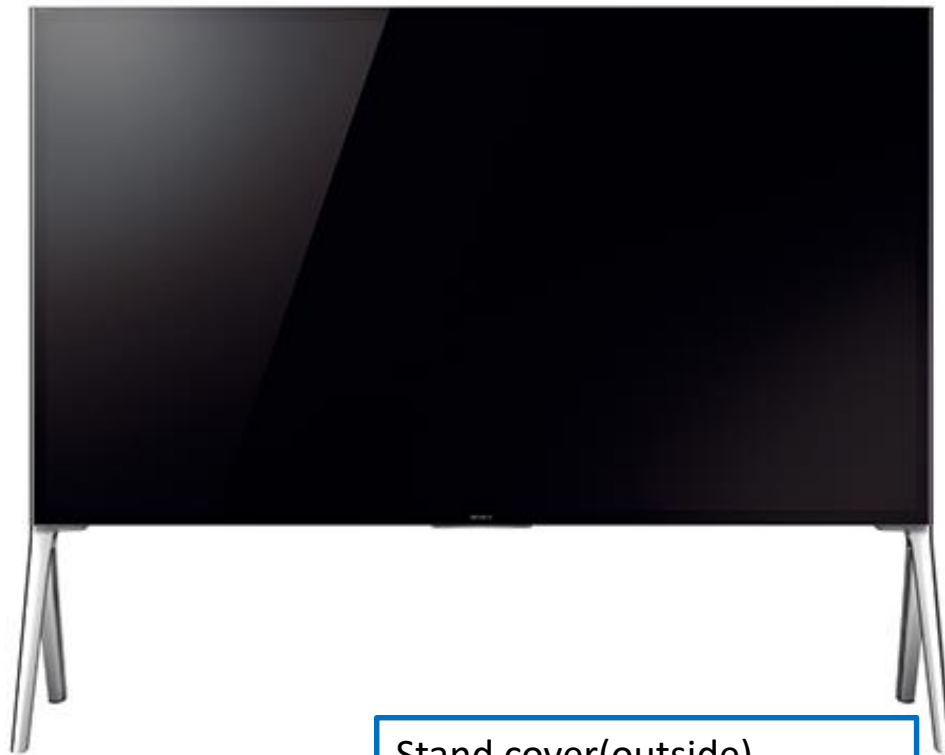
Base plate(T=8)  
Material: PC  
Finishing: transparent Or texture





# Base

Floor stand for 84"  
 ALU Extrusion + ED  
 Plating



Stand cover(outside)  
 Material: Plastic  
 Finishing : plating  
 Stand leg(Inside)  
 Material : ALU extrusion  
 Finishing : ED-Coating



# Base

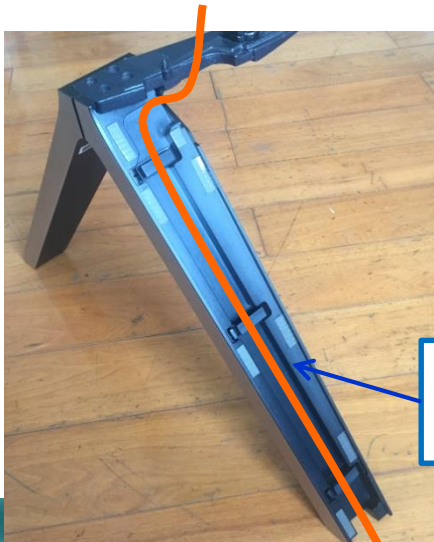
Floor stand for 100"  
Aluminum hairline  
2 colors anodizing



Anodizing Black  
Hairline



Anodizing gold  
Hairline



Hide the cable  
inside



Removable cable cover  
Easy to manager the cable

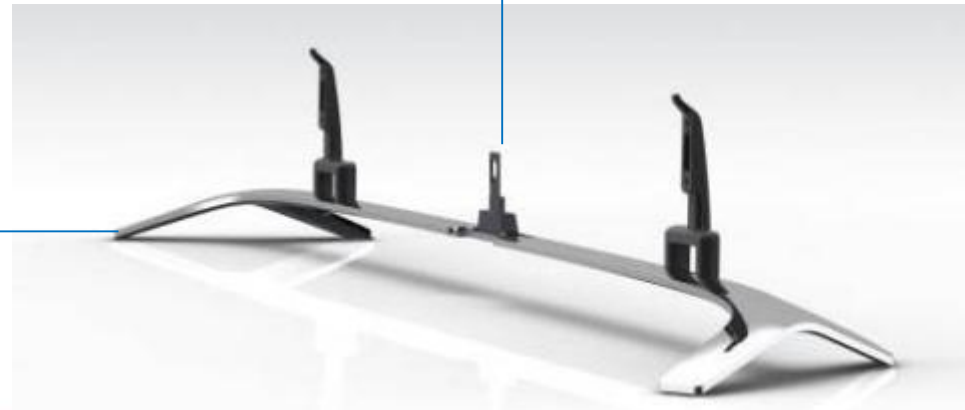
# Base

Curved TV stand



Stand Base  
Material: ALU Die-casting  
Finishing: Powder coating

Base cover  
Material: Plastic  
Finishing: plating

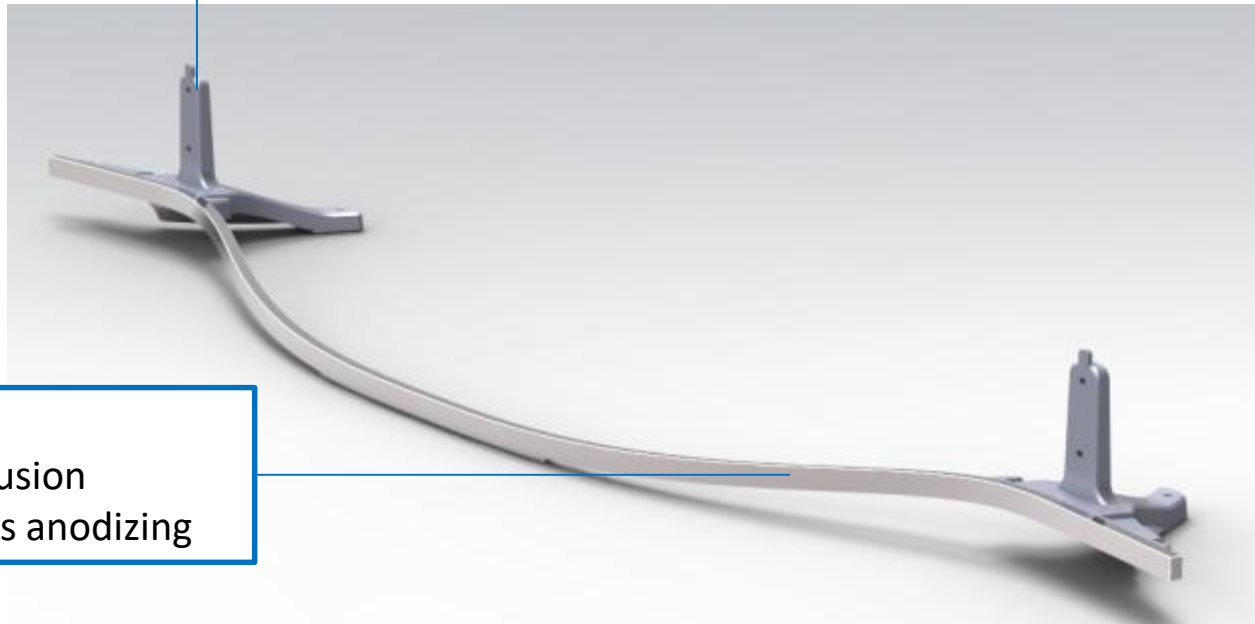


# Base

**Curved TV stand**  
Al extrusion bending  
anodizing



**Stand Base**  
Material: ALU Die-casting  
Finishing: spray painting



**Stand Frame**  
Material: ALU Extrusion  
Finishing: High gloss anodizing

# Base

Curve stand  
Aluminum die-casting  
plating



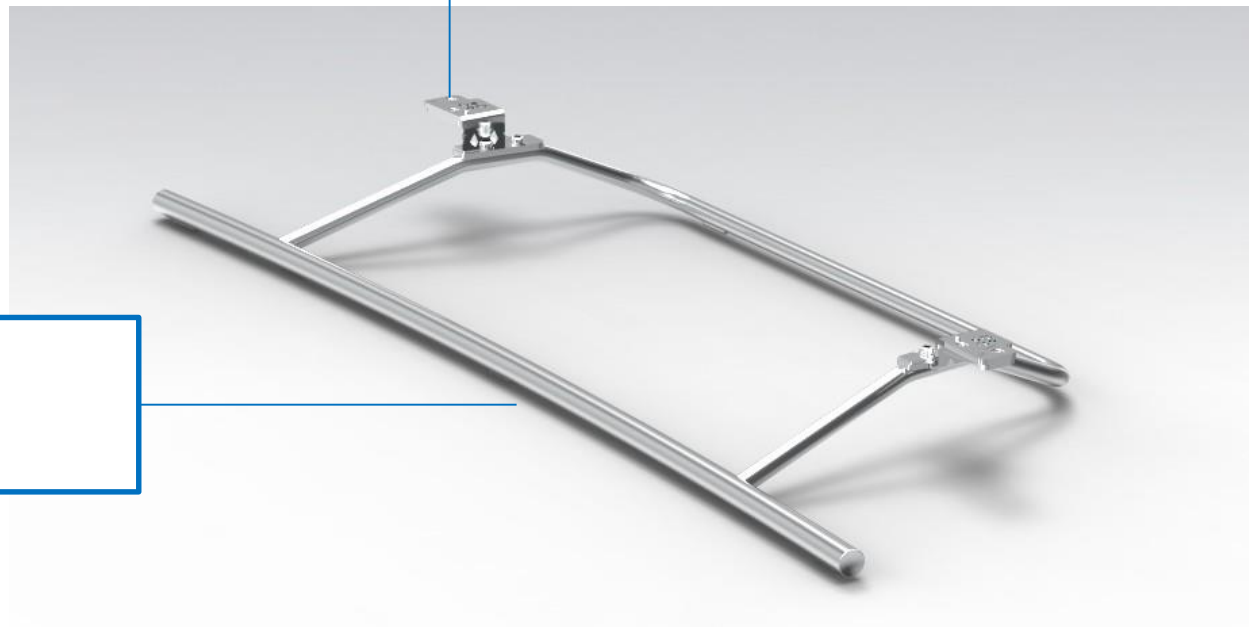
Stand Base  
Material: ALU Die-casting  
Finishing: Plating dark silver



# Base

Curve TV stand  
Shaft  
plating

Arm Plate  
Material: SPCC  
Finishing: ED coating



Stand Base  
Material: Q195  
Finishing: plating

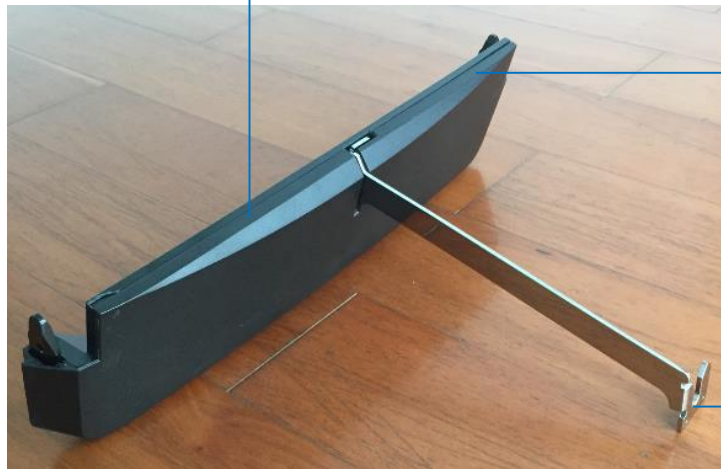
# Base

Invisible Stand  
with weight block



Front cover  
Material: HIPS  
Finishing: texture

Weight block inside with  
Precision casting process



Support Plate  
Material: SPCC  
Finishing: plating

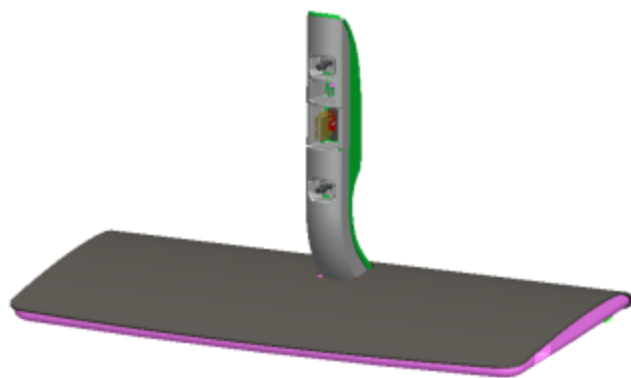
# Base

Multifunction stand  
 Stand with wall mount

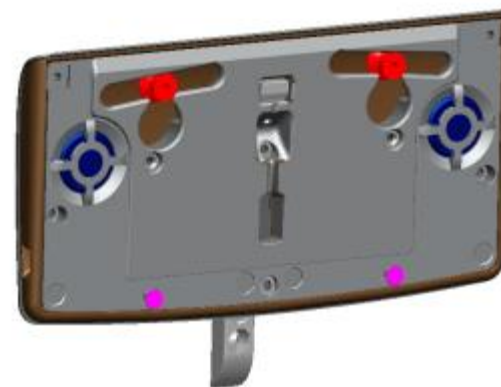


Neck  
 Material: Die casting  
 Finishing: Powder coating

Base cover  
 Material: AL sheet  
 Finishing: Hair line + anodizing



Stand

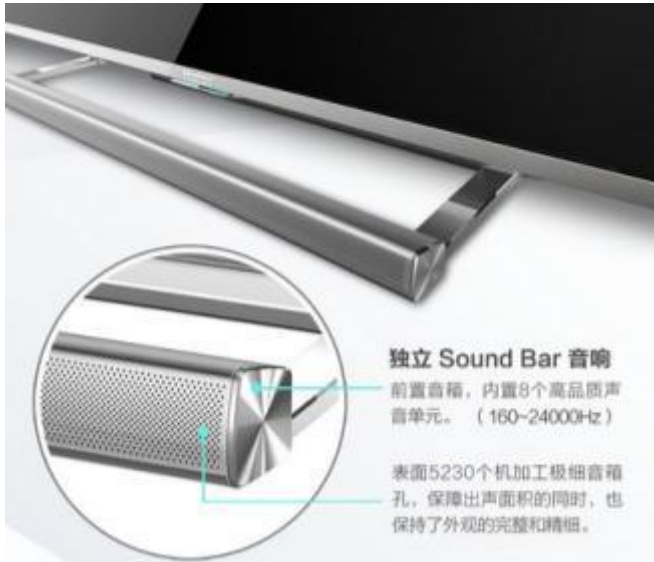


Wall mount



# Base

Multifunction stand  
Stand with sound bar

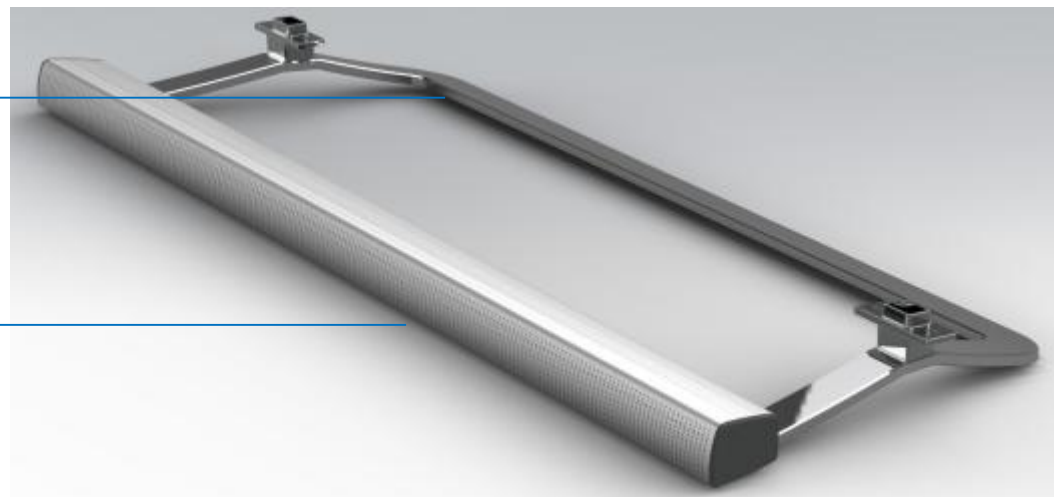


**独立 Sound Bar 音响**  
前置音箱，内置8个高品质声音单元。（160-24000Hz）  
表面5230个机加工极细音箱孔，保障出声面积的同时，也保持了外观的完整和精细。



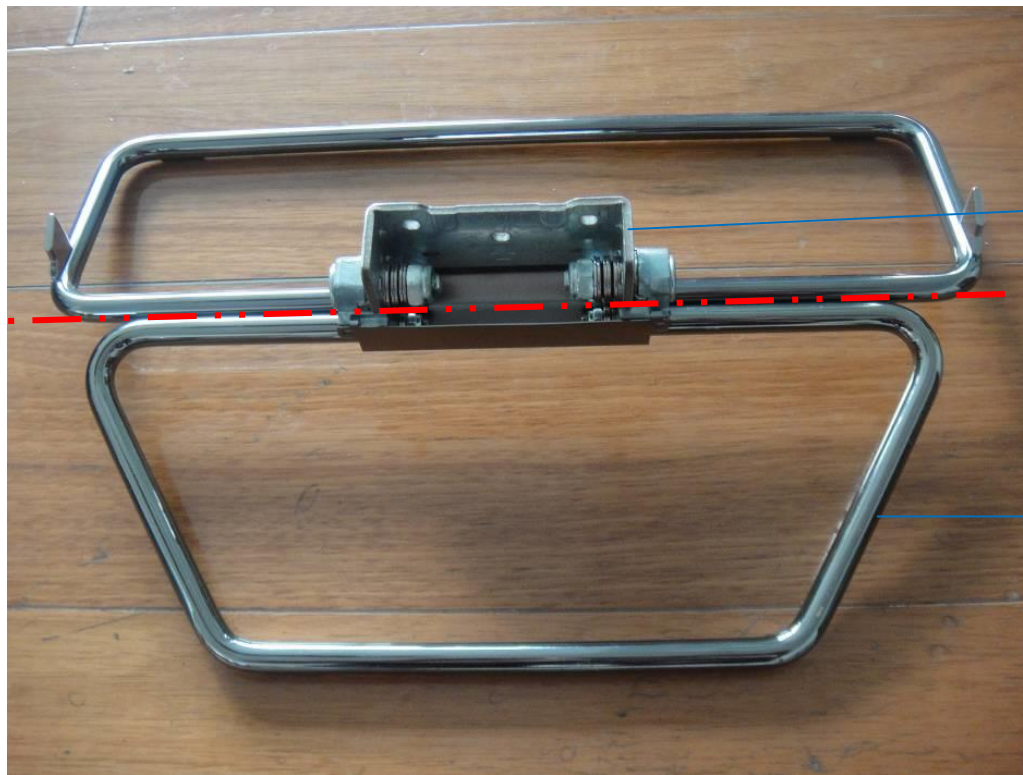
Stand Base  
Material: Zn Die-casting  
Finishing: Plating

Sound bar cover  
Material: ALU Extrusion  
Finishing: sand blast anodizing



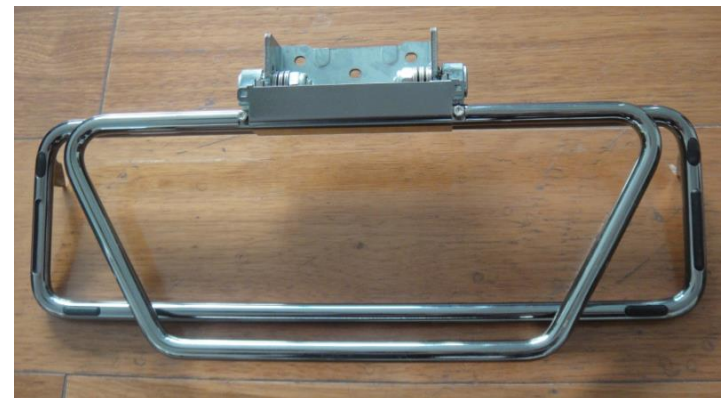
# Base

Folding stand  
Shaft /Plating



Stand Neck  
Material: SECC

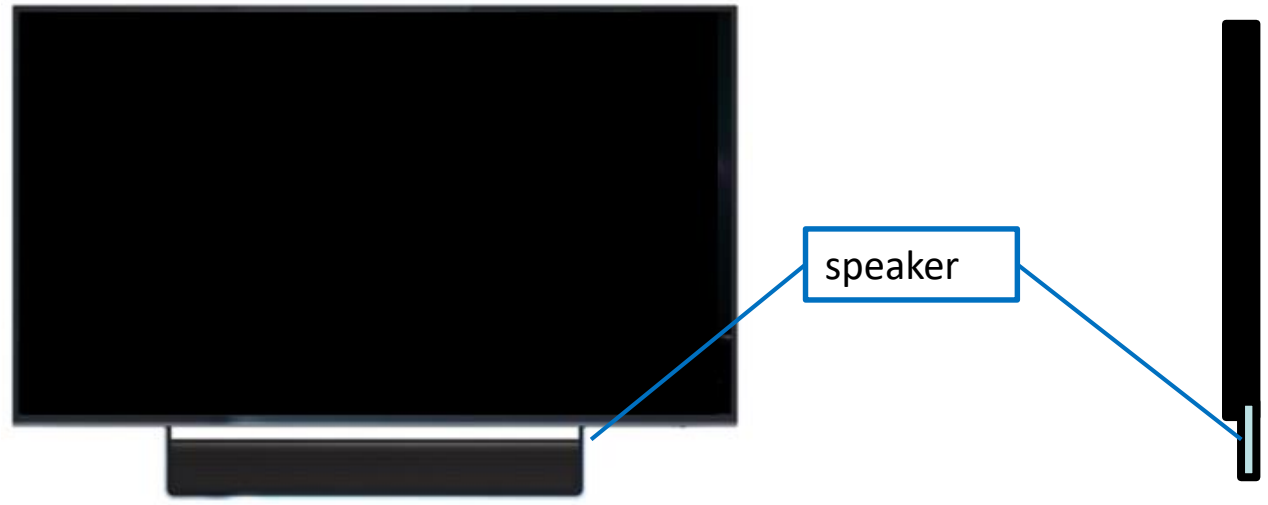
Stand Base  
Material: Q195  
Finishing: plating



# Base

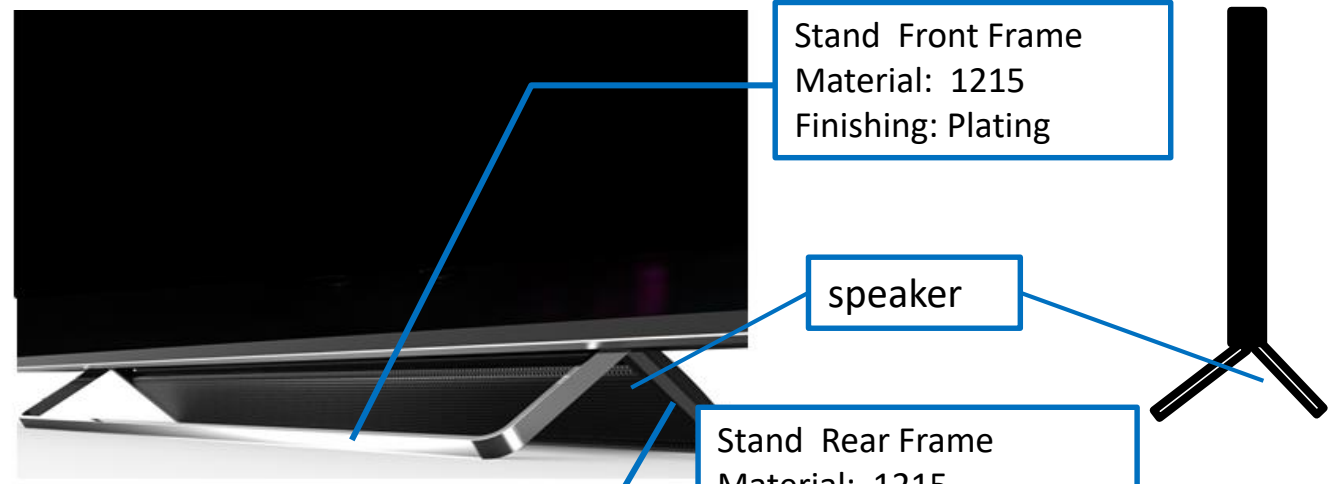
New concept  
Folding stand with  
speaker

Wall mount  
condition



speaker

Stand  
condition



Stand Front Frame  
Material: 1215  
Finishing: Plating

speaker

Stand Rear Frame  
Material: 1215  
Finishing: powder coating

# Base

Multifunction stand  
AIO stand



Swivel cover  
Material: plastic  
Finishing: Texture

neck cover  
Material: plastic  
Finishing: Texture

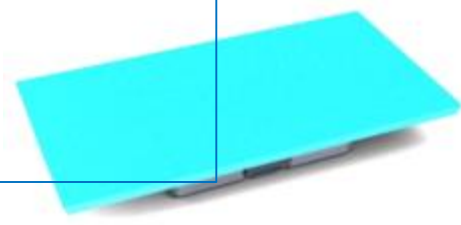
Basel cover  
Material: plastic  
Finishing: Texture

# Base

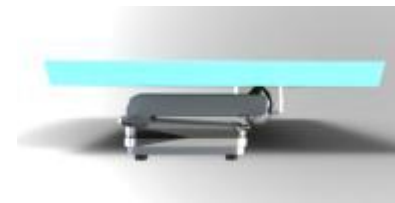
New concept stand  
Multifunction stand  
AIO stand

NECK Cover  
Material: plastic  
Finishing: spray painting

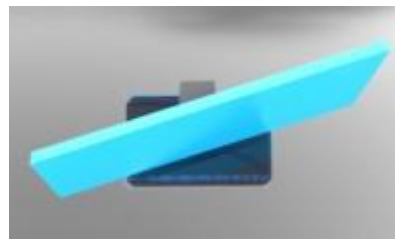
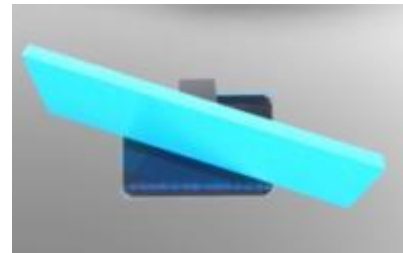
Stand base  
Material: plastic  
Finishing: spray painting

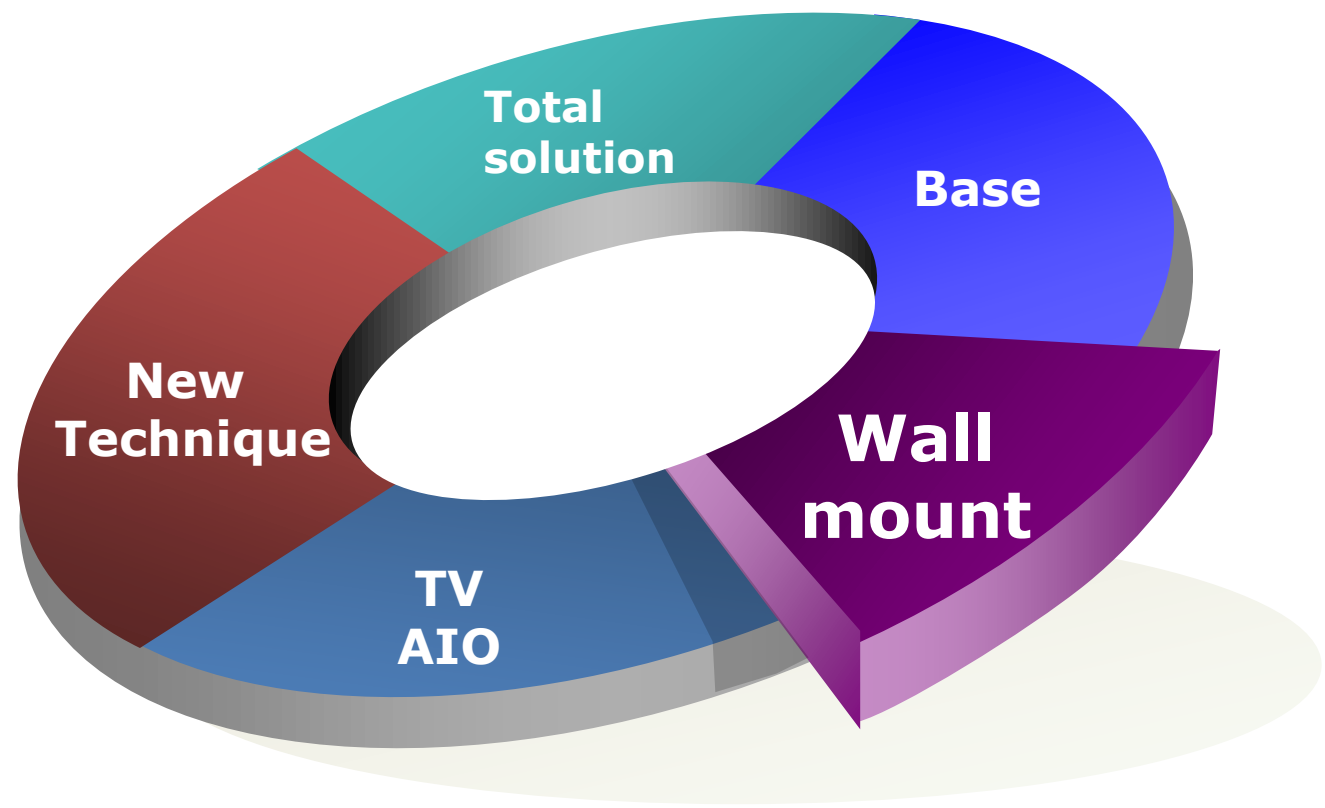


Tilt  
Up-down move



L&R Swivel



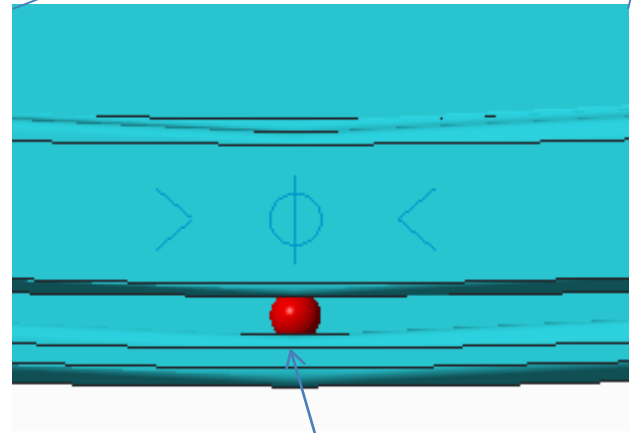
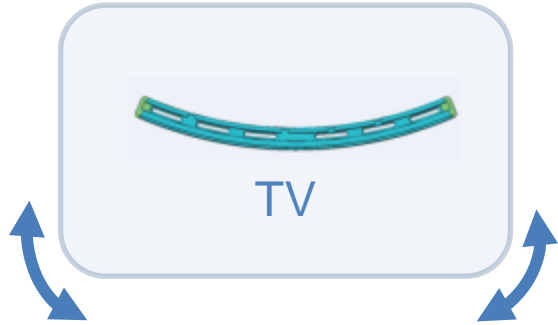
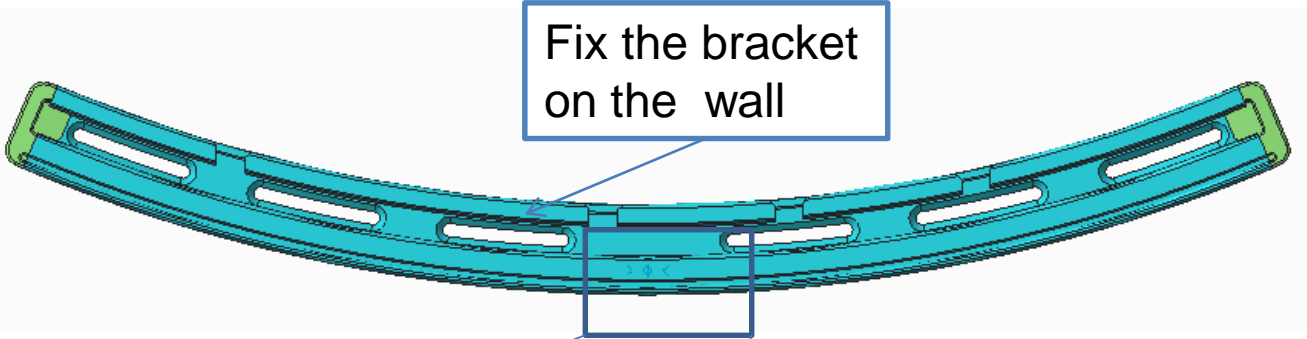


# Wall mount

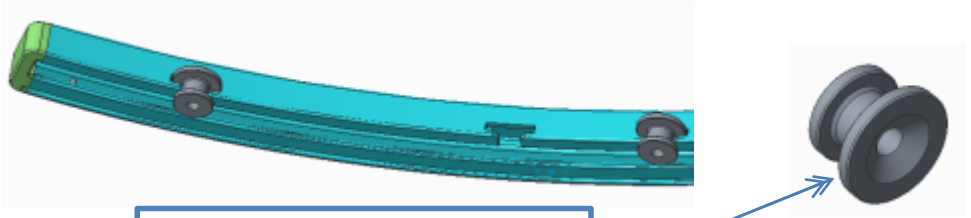
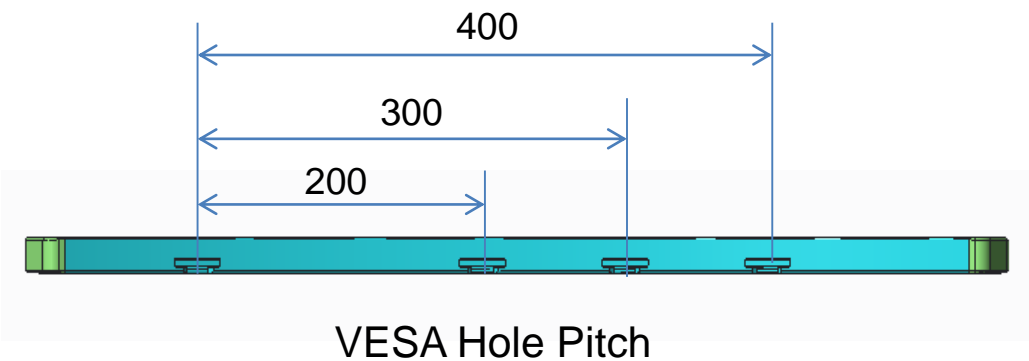
Simple wall mount  
Al extrusion

Easy to adjust the  
TV position

Fix the bracket  
on the wall



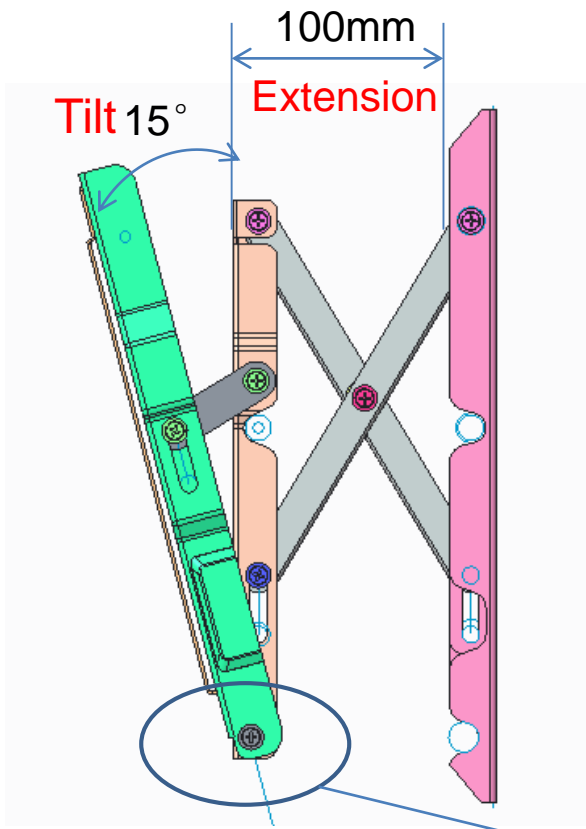
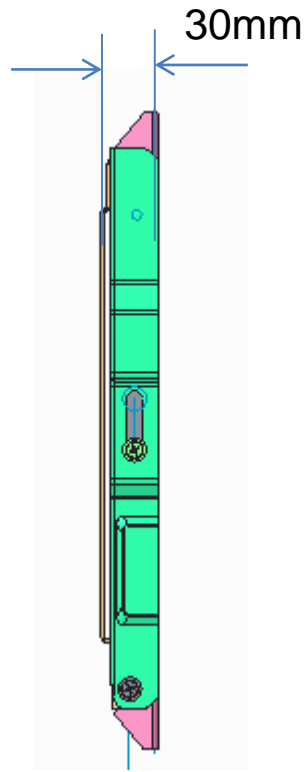
Check the horizontal  
by steel ball



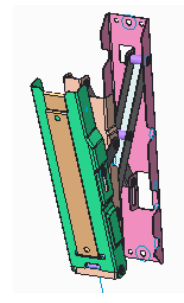
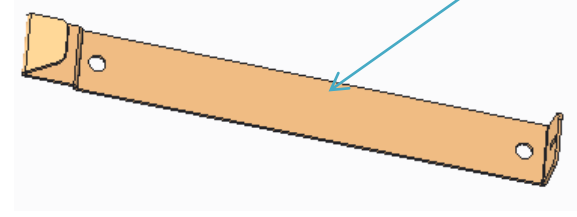
Fix the mushroom  
on the TV

# Wall mount

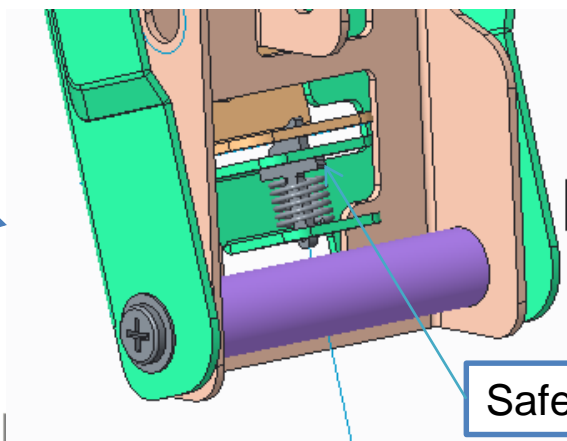
New concept  
Metal  
Extension 100mm  
Tilt 15°



Interface bracket,  
Fix on the TV set by  
screw



Fix 2 sets  
wall mount  
on the wall



Safety Hook

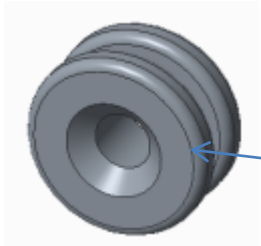
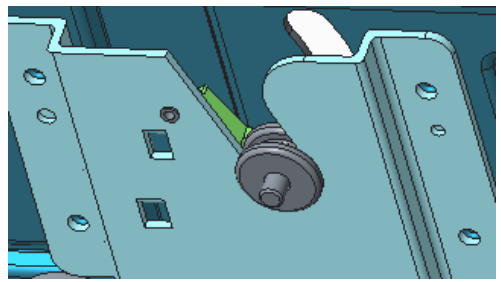
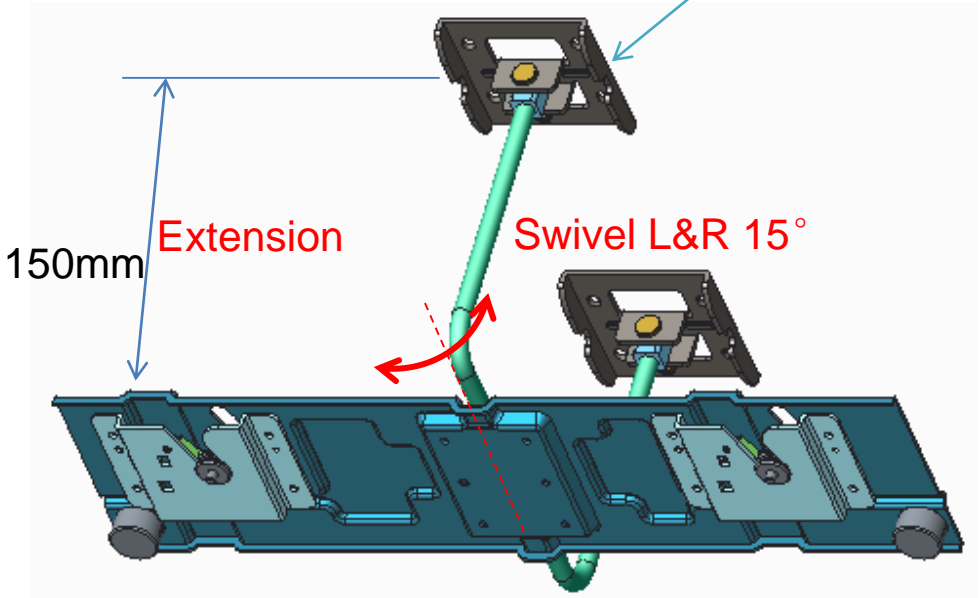
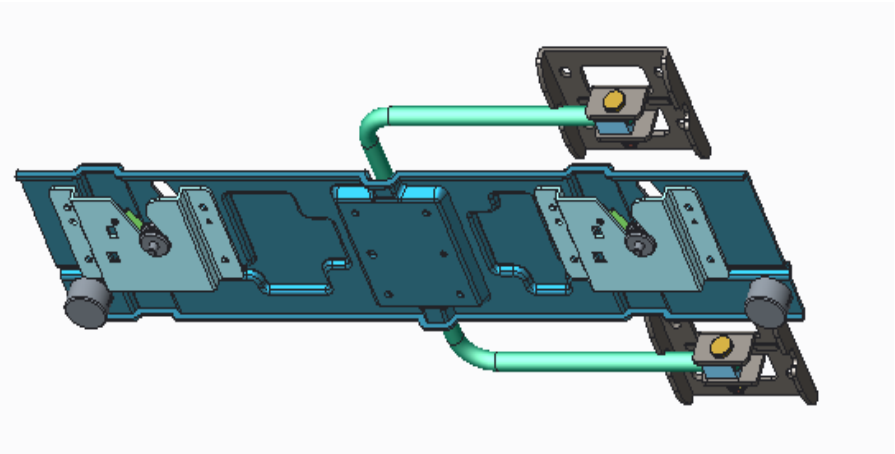
CONI .....



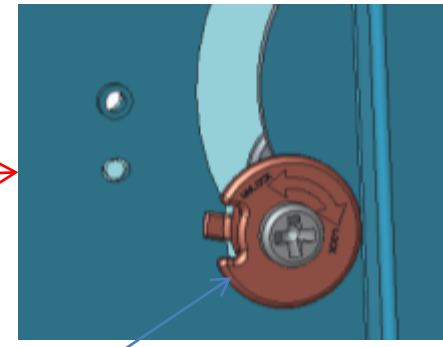
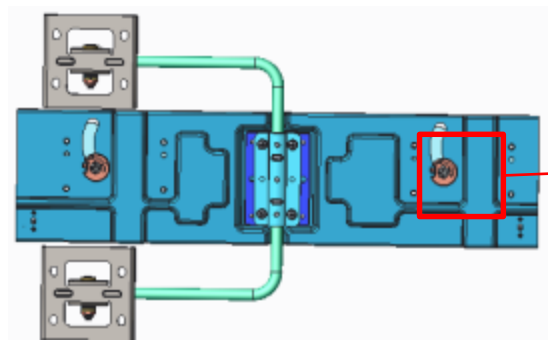
# Wall mount

New concept  
Metal + Shaft  
Extension 150mm  
Swivel 15°

Fix the wall mount on the wall by screw

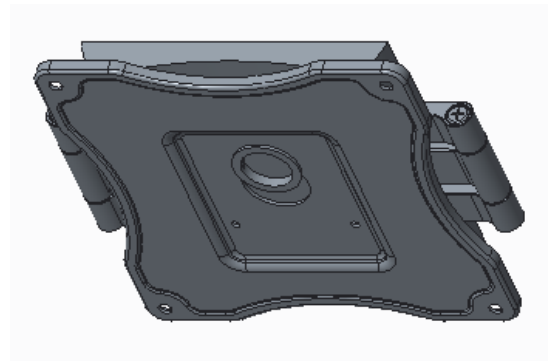
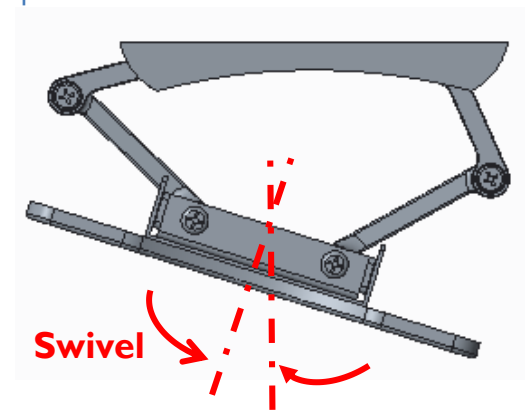
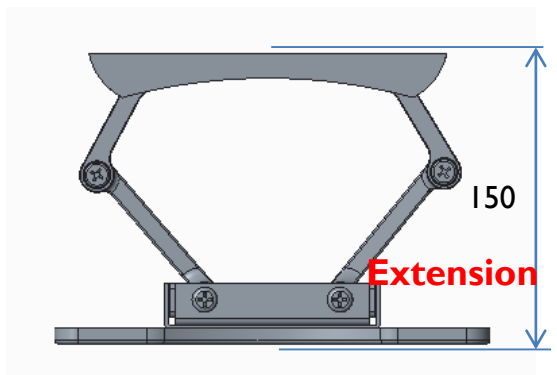
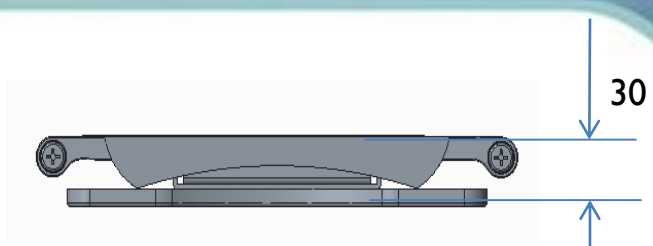


Fix the mushroom on the TV

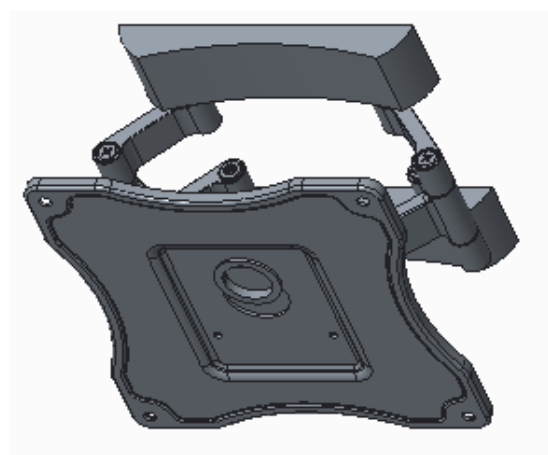


Safety Hook

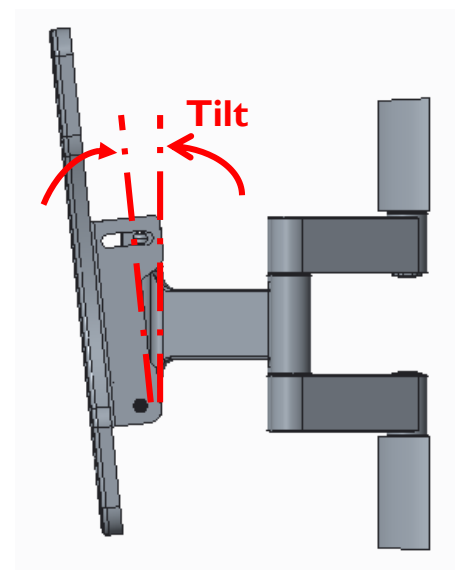
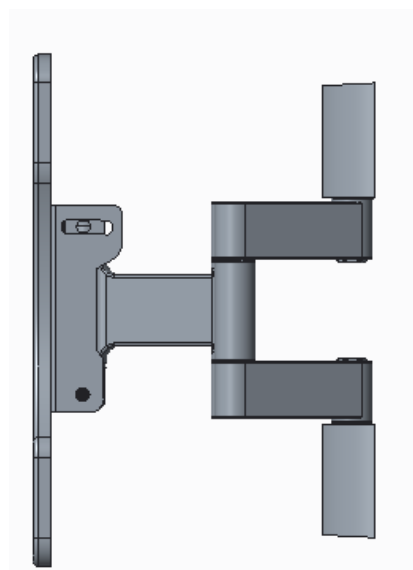
**Wall mount**  
 New concept  
 Metal + Plastic  
 Extension 120mm  
 L&R swivel 10° Tilt 8°



Close condition



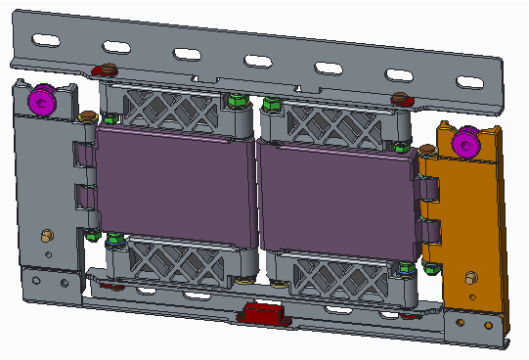
Open condition



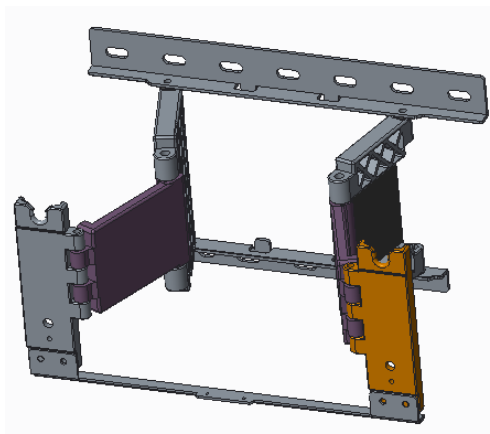
# Wall mount

**Slim wall mount**  
 Metal + Die-casting  
 Extension 180mm  
 L&R swivel 12°

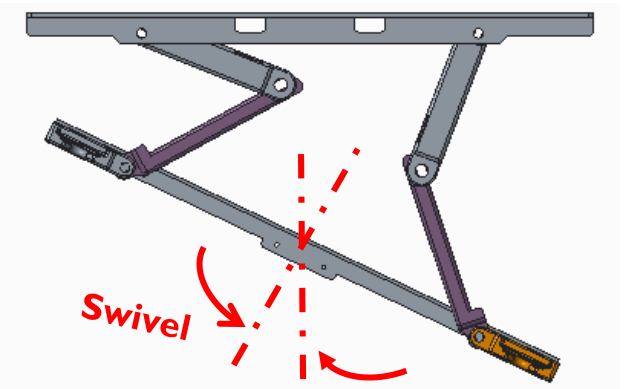
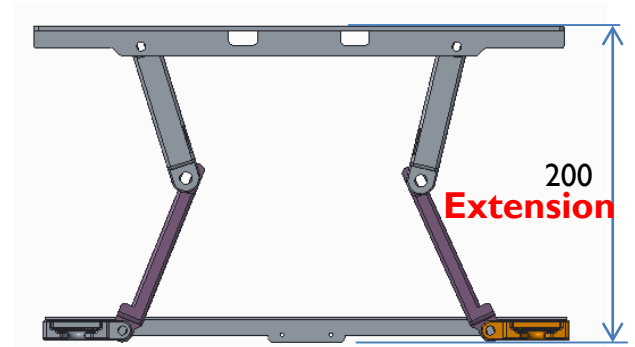
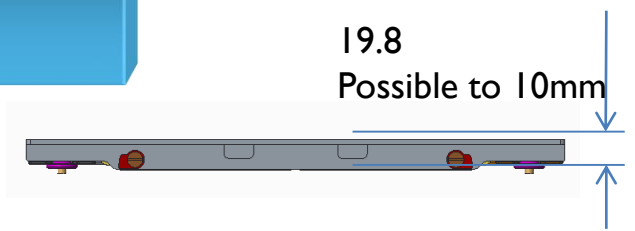
Available for 55" 65" 75"



Close condition



Open condition



ASSY Image  
 Side View